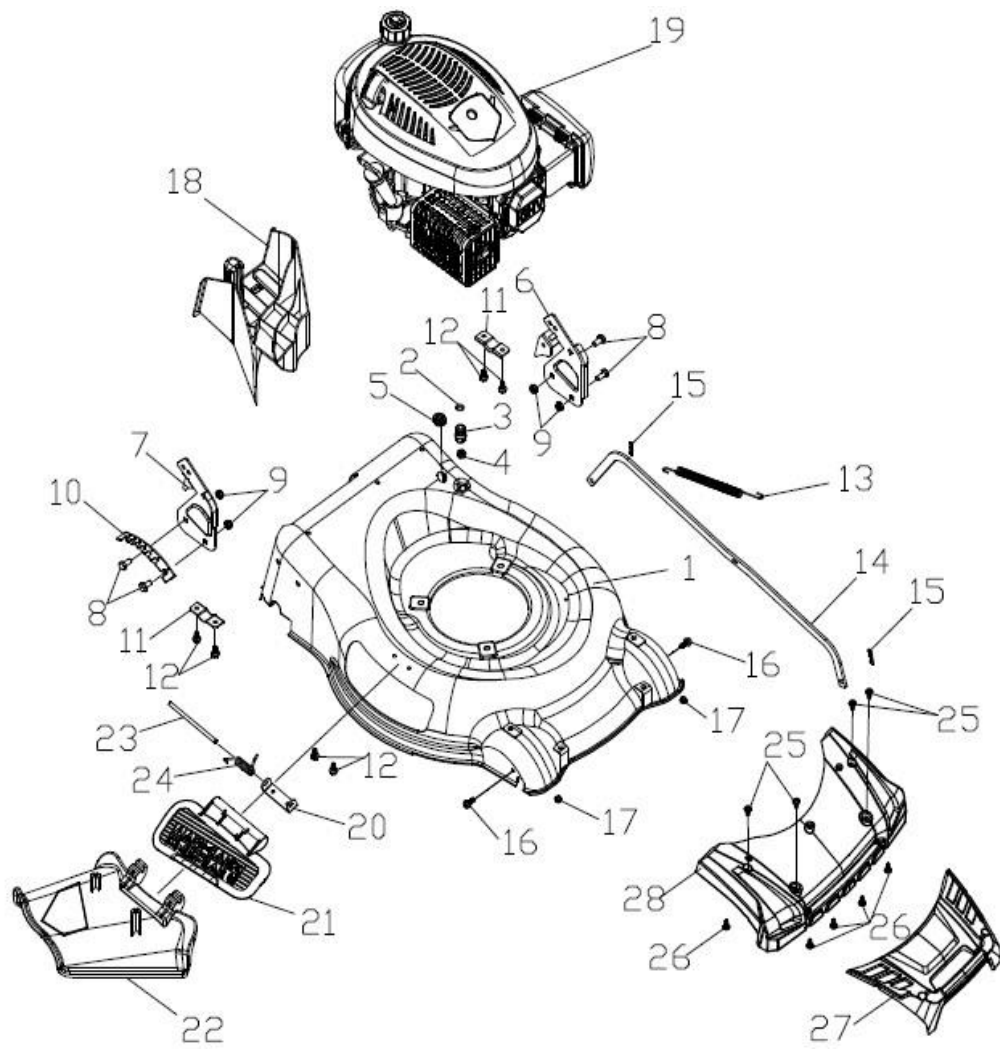
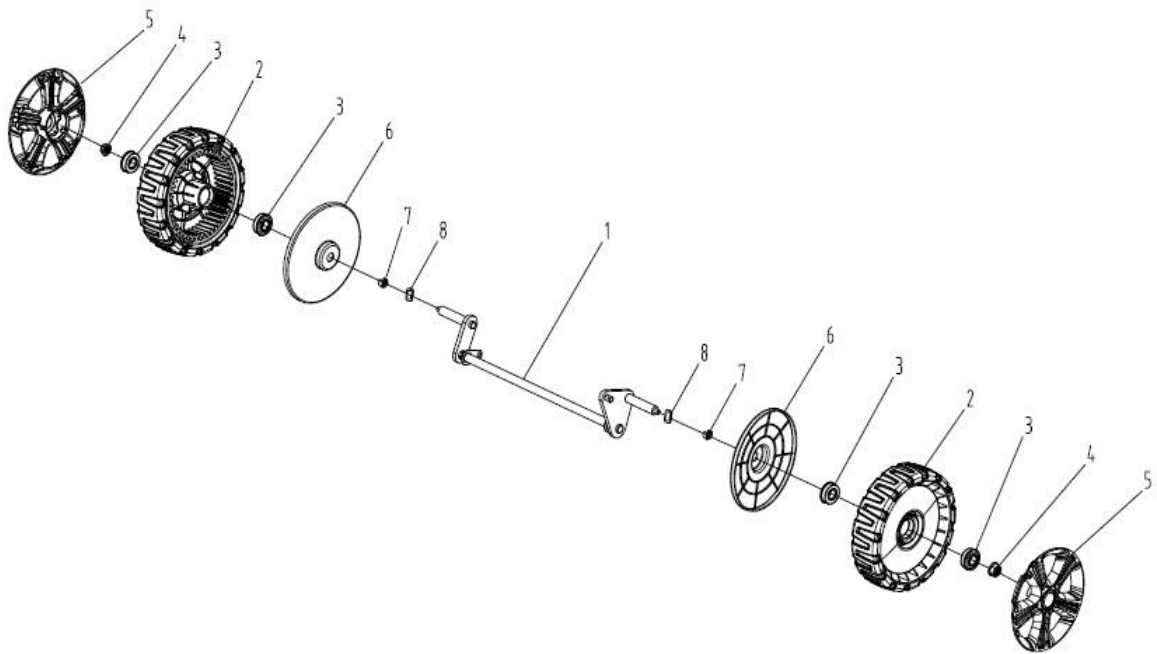


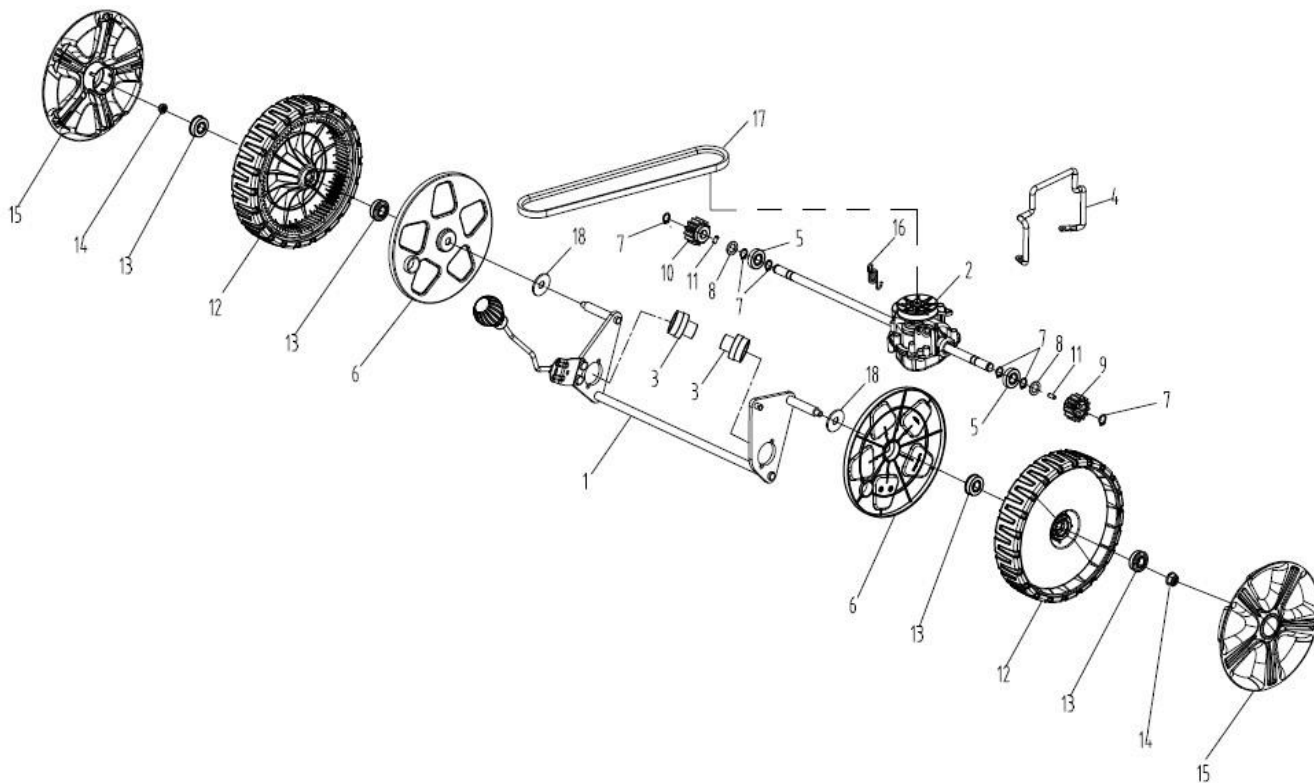
poz.	název eng.	počet	13	quick fix knob	2
1	foam pipe	1	14	Pin	2
2	stop lever	1	15	Quick Fix Handle	2
3	Self-propelled Lever	1	16	lock for fast fix handle	2
4	upper handrail	1	17	flat washer	4
5	Rope Guide	1	18	lock nut	2
6	Cap nut	1	19	Hexagon nut	4
7	Brake Cable Assy plate	1	20	lower handrail	1
8	Bolt	2	21	fastener	1
9	Self-locking nut	2	22	Hexagon head bolts	2
10	Plastic stopper	1	23	Half round head square neck boltsbolts	2
11	brake cable	1	24	Hex lock nut	2
12	selfpropelled cable	1	25	triangle knob	2



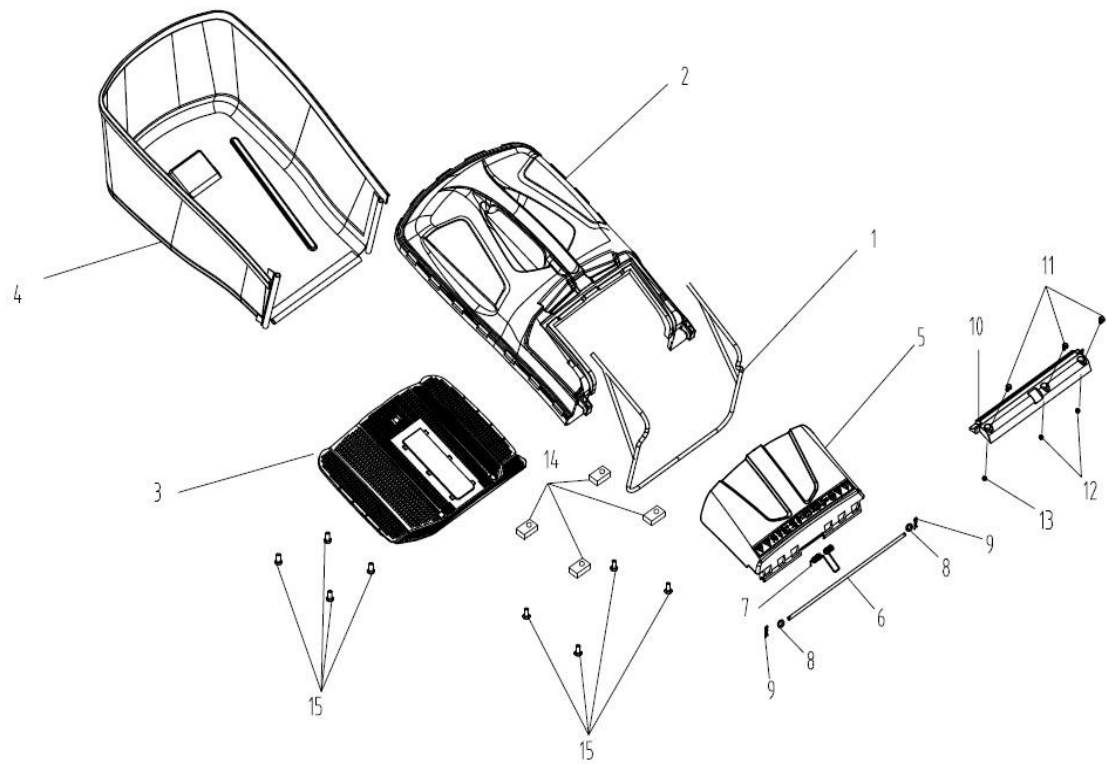
Pol.č.	název eng.	množstvo		15	R type pin	2
1	deck welding assy.	1		16	Bolt	2
2	"O" ring	1		17	Self-locking nut	2
3	inlet	1		18	mulching plug	1
4	inlet	1		19	petrol engine	1
5	cable stopper	1		20	Bracket plate for defelctor	1
6	left handle bracket	1		21	mulching board	1
7	left handle bracket	1		22	side discharge cover	1
8	Hexagon head bolts	4		23	Mulch Shaft	1
9	Hex lock nut	4		24	mulch board spring	1
10	height adjustment board	1		25	Phillips flat head self tappin	4
11	rear drive bracket	2		26	Phillips flat head self tappin	5
12	Hex tapping screws	6		27	front mask	1
13	Pull Spring for Pull Rod	1		28	front mask	1
14	Height Adjustment Pull Rod	1				



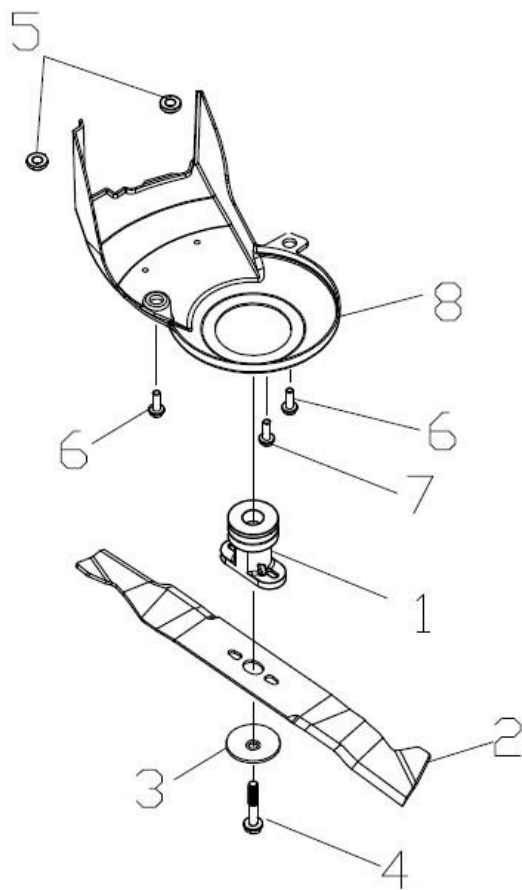
poz.	název eng.	počet
1	front drive assy.	1
2	wheel assy.	2
3	wheel punch bearing	4
4	Self-locking nut	2
5	outer cover of hub	2
6	inner cover of hub	2
7	front bracket fastener	2
8	Resilient washer	2




poz.	název eng.	počet
1	rear drive assy.	1
	height adjustment ball	1
2	selfpropelled assy.	1
3	rear wheel axle sleeve	2
4	Brake spring	1
5	rear wheel axle sleeve	2
6	inner cover of hub	2
7	spring washer	6
8	selfpropelled ratchet washer	2
9	Ratchet Wheel L	1
10	Ratchet Wheel R	1
11	bratchet pin	2
12	wheel assy.	2
13	wheel punch bearing	4
14	Self-locking nut	2
15	outer cover of hub	2
16	selfpropelled spring	1
17	v belt	1
18	Gasket	2









poz.	název eng.	počet
1	fabric metal frame	1
2	top of grass box	1
3	filter net of grass bag	1
4	fabric grass bag	1
5	rear discharge cover	1
6	Shaft for rear discharge cover	1
7	cover spring	1
8	lock washer	2
9	R type pin	2
10	rear discharge cover dust proof board	1
11	Bolt	3
12	Self-locking nut	2
13	Cap nut	1
14	washer	4
15	Phillips flat head self tapping screw	8


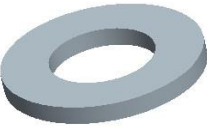


poz.	název eng.	počet	
1	Blade Adapter Assy	1	
2	blade	1	
3	blade washer	1	
4	Inch hex flange bolts	1	
5	Chassis bushing	2	
6	Hex flange bolts	2	
7	Hex flange bolts	1	
8	belt cover	1	

1	Blade Adapter Assy	
---	--------------------	---

2	blade	
3	wheel assy.	
4	outer cover of hub	
5	wheel assy.	
6	outer cover of hub	
7	wheel punch bearing	

8	belt cover	 A 3D rendered model of a grey, curved belt cover with a circular hole on the left side and a small protrusion on the right.
9	v belt	 A 3D rendered model of a grey V-shaped belt, shown in a perspective view.
10	mulching board	 A 3D rendered model of a grey mulching board with a textured surface and a curved edge.
11	side discharge cover	 A 3D rendered model of a grey side discharge cover with a curved shape and a small protrusion on the top.
12	quick fix knob	 A 3D rendered model of a grey quick fix knob with a curved shape and a small protrusion on the top.
13	Pin	 A 3D rendered model of a grey pin with a curved shape and a small protrusion on the top.

14	Quick Fix Handle	
15	flat washer	
16	triangle knob	